

[Full Version Lead2pass Cisco 500-171 VCE And PDF Instant Download (11-20)]

2017 January Cisco Official New Released 500-171 Dumps in Lead2pass.com! 100% Free Download! 100% Pass Guaranteed!

Lead2pass 500-171 braindumps including the exam questions and the answer, completed by our senior IT lecturers and the Cisco product experts, include the current newest 500-171 exam questions. Following questions and answers are all new published by Cisco Official Exam Center: <http://www.lead2pass.com/500-171.html>

QUESTION 11 When creating local user, which two are valid user names? (Choose two) A. daemon B. somebody C. root D. 1greatuser E. 12345 F. best_user
Answer: BF

QUESTION 12 How many VEMs can one server have? A. 4 B. unlimited C. 1 D. 2
Answer: C

QUESTION 13 Your primary VSM needs to be edited, rebooted, or migrated. You need to initiate a manual switchover to your standby VSM. What command will allow this to occur? A. vsm switchover B. System switchover C. Standby activate D. System standby
Answer: B

QUESTION 14 To install your VEM, what is the extension of the VEM file name you'll be looking for to complete this install? A. .zip B. .vem C. .vib D. .vsm
Answer: C

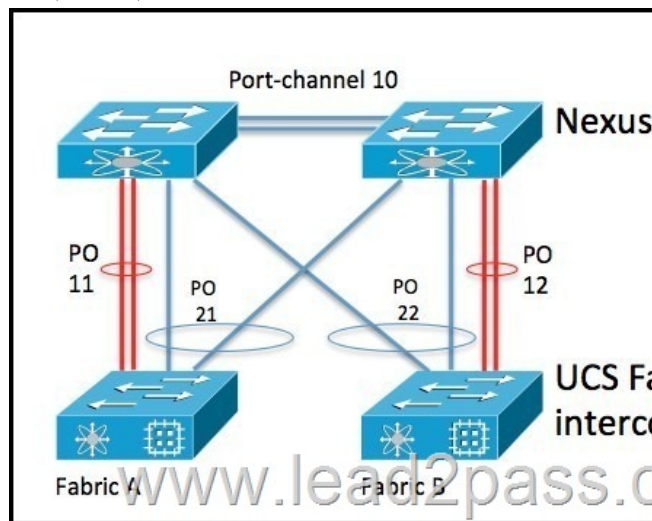
QUESTION 15 How do the Fabric Interconnect ports connecting to the 2232PP FEX have to be configured? A. In UCS Manager, the FI ports connecting to the FEX must be set as type `Server` B. In UCS Manager, the FI ports connecting to the FEX must be set as type `FEX` C. In UCS Manager, the FI ports connecting to the FEX must be set as type `Uplink` D. In UCS Manager, the FI ports connecting to the FEX must be set as type `Auto` E. In UCS Manager, the FI ports connecting to the FEX must be set as type `Network`
Answer: A

QUESTION 16 In a FlexPod design, when can NetApp storage be directly connected to a Cisco UCS server? A. Never B. Always C. Only in a FlexPod Select design D. Only in a FlexPod Express design E. Only in a FlexPod DataCenter design
Answer: C

QUESTION 17 Which four are features of VMware vSphere as part of a FlexPod Solution? (Choose four) A. Workload mobility via vMotion B. High Availability through vSphere clustering technology providing virtual machine resiliency in the event of a physical server or guest OS failures C. Storage thin provisioning capabilities D. Dynamic workload distribution for efficient resource utilization with Distributed Resource Scheduler (DRS) E. An improved virtual hard disk format called VHDX F. Improved support for Live Migration with no limits G. The ability to manage non-ESXi hypervisors such as Microsoft HyperV H. Support for NVGRE in the vNetwork Standard Switch (vSS)
Answer: ABCD

QUESTION 18 When configuring a FlexPod environment for iSCSI boot with Cisco UCS, which item should be preconfigured? A. All zoning should be configured B. Zonesets should be created C. IQN and IP address of target D. WWPN Pools
Answer: C

QUESTION 19 Refer to the exhibit. Which is correct for configuring FCoE?



A. vlan 33fcoe vsan 43int po11switchport trunk allowed vlan add 33int vfc11bind interface po11switchport trunk allowed vsan 43vsan databasevsan 43 interface vfc11 B. vlan 33fcoe vsan 43int po21switchport trunk

allowed vsan add 43int vfc11bind interface po21vsan databasevsan 43 interface vfc 11 C. fcoe vsan 43int po11switchport trunk allowed vsan add 43vsan databasevsan 43 D. fcoe vlan 33int po11switchport trunk allowed vlan add 33vsan databasevsan 33 E. fcoe vsan 43int po21switchport trunk allowed vsan add 43vsan databasevsan 43 Answer: A QUESTION 20 How are jumbo frames enabled on the Nexus 5548? A. policy-map type network-qos JUMBOclass type network-qos class-defaultmtu 9216system qosservice-policy type network-qos JUMBO B. system mtu jumbo 9000 C. system qosmtu 9216 D. policy-map type queueingclass type queueing class-defaultmtu 9216 E. system jumbo-frame Answer: A If you use Lead2pass braindump as your 500-171 exam prepare material, we guarantee your success in the first attempt. Lead2pass 500-171 dump provides you everything you will need to take your 500-171 Exam. 500-171 new questions on Google Drive: <https://drive.google.com/open?id=0B3Syig5i8gpDWElubDhSMVF4WXM> 2017 Cisco 500-171 exam dumps (All 60 Q&As) from Lead2pass: <http://www.lead2pass.com/500-171.html> [100% Exam Pass Guaranteed]